



# Unicla *NEW PRODUCT BULLETIN*

*New 330 SERIES for large size vehicles and heavy duty applications*



- Dual position service ports - interchangeable with pressure switch
- Series connected pressure and thermal switch
- Extreme duty weather proof electrical connector



- Thermal protection switch
- Larger rear hose manifold #16 Suction #12 Discharge
- Low pressure cut out switch fitted to low side

- 330cc Capacity
- Heavy duty clutch
- R134a service ports
- Horizontal hose ports #16 and #12
- Multiple mounting points
- High pressure relief valve
- Twin sight glass for oil inspection
- Oil return port
- PAG or POE Oil

**UX330-8995**



## **Features**

The new UX330 -8995 is designed for large size vehicles and heavy duty applications where long suction and discharge lines are fitted. The compressor also has a low pressure cut out switch fitted to the suction side, a thermal cut out switch fitted to discharge side, and weather proof electrical connectors.

This compressor also features the famous Unicla 10 cylinder swashplate design, and can be operated in clockwise or counter clockwise direction. It is also fitted with service valves, oil return port and top and bottom oil plugs.

## **Hose Ports**

The hose ports are situated at the rear of the compressor in a horizontal configuration. The suction port is male #16 (1 5/16") and discharge is male flare #12 (7/8"). This provides a convenient method of connecting to larger hose and pipe lines. The manifold is Unicla part no. 32308-000760.

## **Thermal Protection**

Thermal protection is provided by a thermal cut-out switch fitted to the discharge side of the hose port manifold . This normally closed switch is set to open circuit the clutch power supply when the discharge line reaches 100°C, and to re-set at 80°C. This provides protection to the compressor from over heating and excessive discharge super-heat. For more information regarding super heat recommendations for Unicla compressors please refer to pages 4-6 of Unicla Service Information booklet.

## **Low Pressure Cut-out Switch**

A low pressure cut-out switch is fitted to the low side on the rear cap of the compressor. Cut out setting is 6 psi (40 kPa) and cut in is 25 psi (180 kPa). This will protect the compressor against low system refrigerant level, or insufficient refrigerant flow in the suction line. The switch is series connected with the thermal cut-out switch to the compressor clutch circuit.

## **Service Valves**

Low and high side service valves are fitted as standard and can be easily removed if not required. The low side valve can be interchanged with either the oil separator port or low pressure cut out switch position.

## **Oil Return Port**

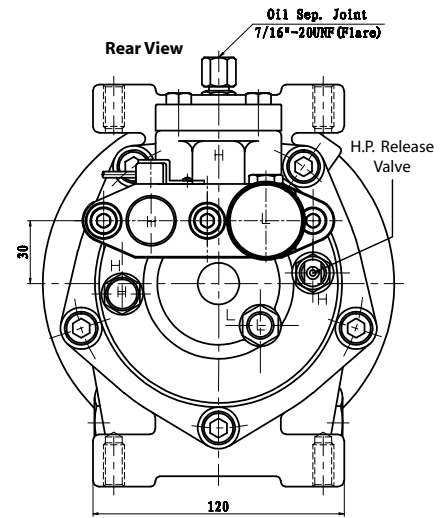
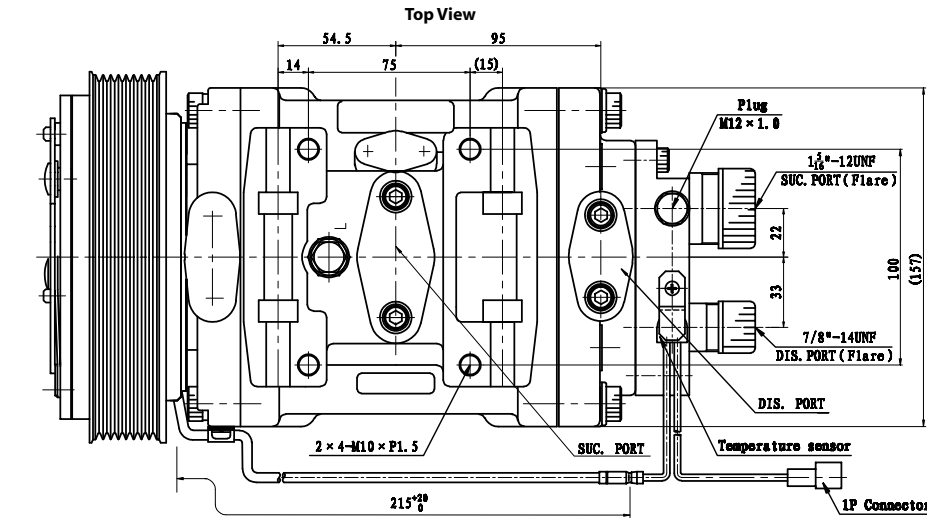
A Unicla Oil Return Port is available for the UX330 as standard and easily unscrews from the top oil filler plug. It can also be interchanged with or the low side service port. It is a standard male flare fitting and is suited to the Unicla Oil Separator part no: 35401-000010

## **Clutches**

A diverse range of clutches are available in AA, B section and Polygroove, and 12 or 24 volt.



## Technical Specifications

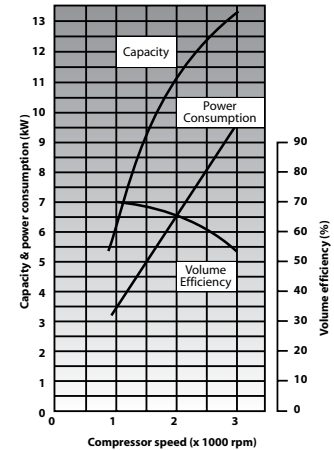
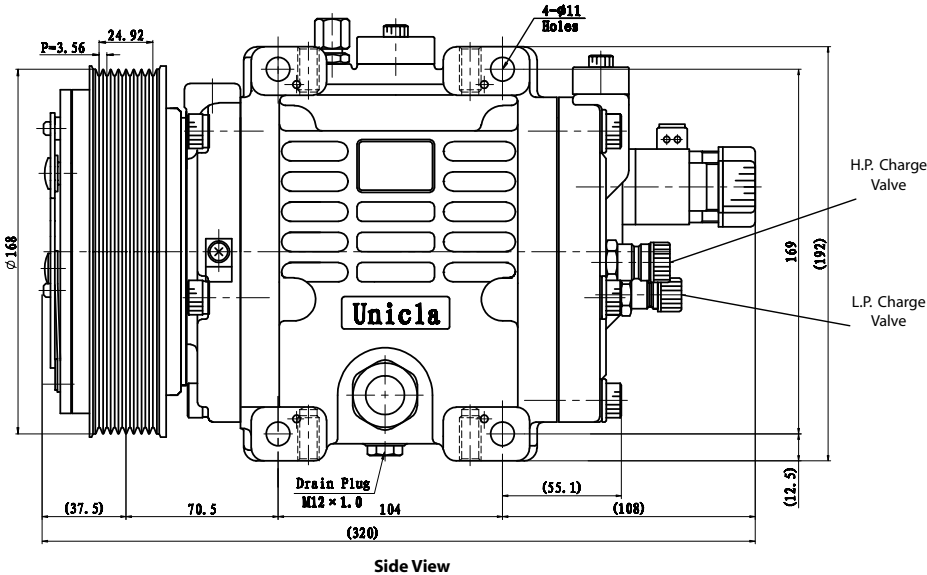


### Specifications

Model	UX330
Displacement	330 cc/rev.
No. of cylinders	10
Max momentary speed	4500 rpm
Lubricant	Unidap 7 (PAG)

### Operating conditions

Pressure suction	1.86 kg/cm <sup>2</sup> G
Pressure discharge	15.5 kg/cm <sup>2</sup> G
Super heat	10°C
Sub cooling	9°C

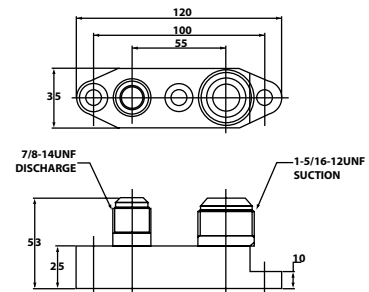


UX330 side and rear view (with rear hose manifold 32308-000760 fitted)

UX330 Performance data operating with R134a

### Clutches Available for Unicla 330 Series Compressors

Type UX330	Pulley Diameter (mm)						Power	
	125	135	145	152	168	178	12V	24V
AA Groove					•	•		•
B Groove					•	•		•
BB Groove					•	•		•
8 Groove					•	•	•	•



Rear Hose Fitting Manifold for UX330  
Part No. 32308-000760

For detailed information about Unicla recommendations on such areas as fitting compressors in special applications, measuring compressor thermal and pressure loads, and calculating extra oil requirements in larger systems, we recommend you visit our website where expert advice from Unicla engineers can be found.



### Unicla International Limited

Unit 1209-1210, 12F, Manhattan Centre, 8 Kwai Cheong Rd,  
Kwai Chung, N.T., Hong Kong. Phone (852) 2422 0180 Fax (852) 2422 0680  
Email: sales@unicla.hk Website: www.unicla.hk

Distributed by: